



STAUNCH
MACHINERY
SINCE 1979

STAUNCH Portable Small Scissor Lift ST-B30M



Features



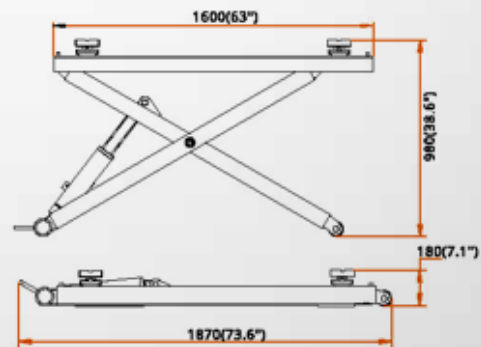
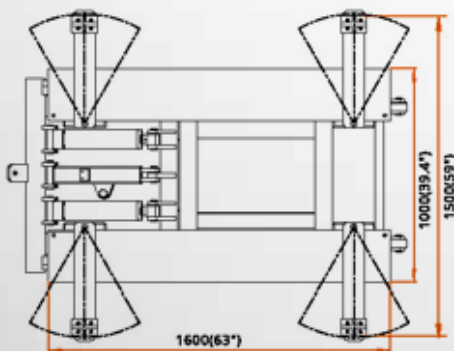
Firm integrated parallel structure,



Convenient portable pump

- Hydraulic and mechanical gear locking system
- Extra arms to lengthen and widen platforms

Dimensions



Parameters

MODEL



Lifting capacity



Lifting height



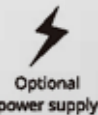
Min height



Lifting time



Lowering time



Optional power supply



Motor power

PL-B30M

≤3000kg
(6600 lbs)

≤980mm
(38.6'')

180mm
(7.1'')

25 S

25 S

220v (1ph)
/380v(3ph)

2.2 kw